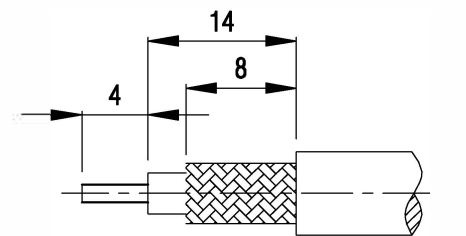
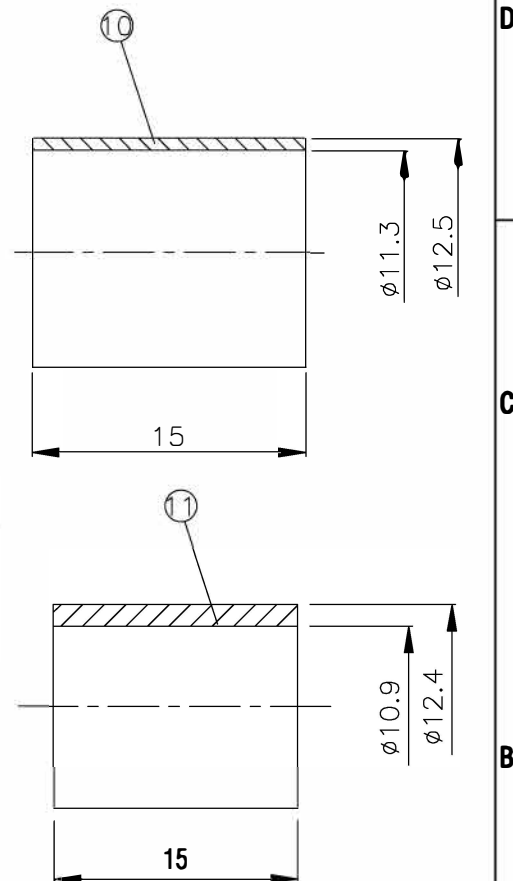


NO	DESCRIPTION	MATERIAL	Q'TY	FINISH	REMARK
1	BODY 1	BRASS	1	NICKEL	B-BNC0184-N
2	RUBBER	SI RUBBER	1	RUBBER	RU-0001
3	WASHER 1	BRASS	1	NICKEL	W-0026-N
4	WASHER 2	BRASS	1	NICKEL	W-0027-N
5	WASHER 3	BRASS	1	NICKEL	W-0025-N
6	INSULATION	TEFLON	1	TEFLON	I-0020T
7	BODY 2	BRASS	1	NICKEL	B-TNC0165-N
8	BODY 3	BRASS	1	NICKEL	B-N0050-N
9	PIN	BRASS	1	GOLD	P-TNC0109-G
10	RING	BRASS	1	NICKEL	R-0010-N
11	RING	BRASS	1	NICKEL	R-0057-N



(Recommended Stripping Dimension)



D

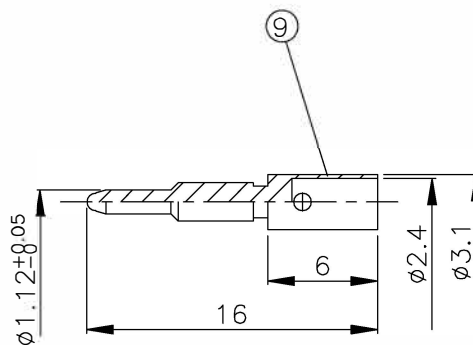
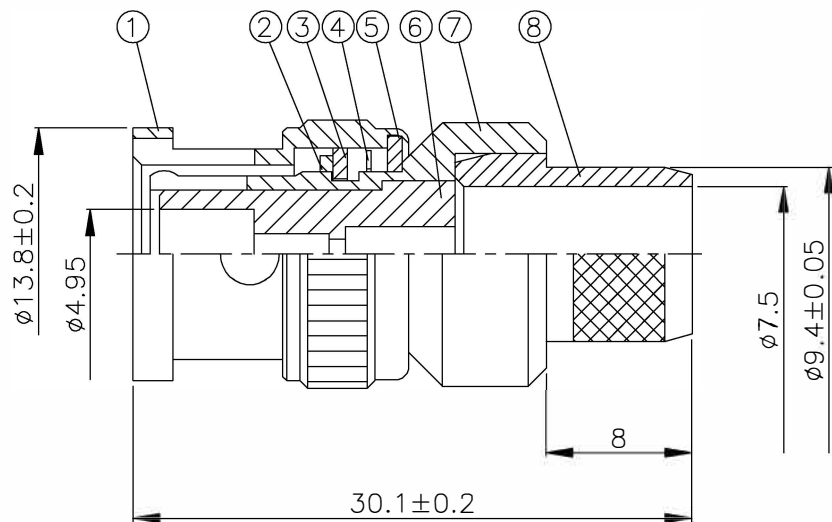
D

C

C

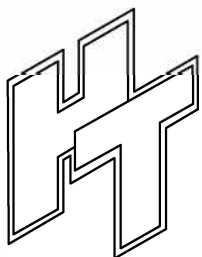
B

B



A

A



RG 213/U PART NO. BNC-05B-TGN-1 DRAWING NO. BNC 05B TGN -1	DRAWN 蘇姿潔	DATE 98.10.02
	CHECKED 蘇志欣	DATE
	Q.A. 林妙權	DATE
	APPROVAL 徐燦霖	DATE
	REVISION	DATE

DIMENSIONS ARE IN MILLIMETERS

REVISION

UNLESS OTHERWISE SPECIFIED TOLERANCES			
0.5-5=±0.2	120-315=±1		
5-30=±0.4	315-1000=±1.6		
30-120=±0.6	1000-2000=±2.4		
SCALE	4:1	SIZE	A

DESCRIPTION	ENGINEER

4

3

2

1