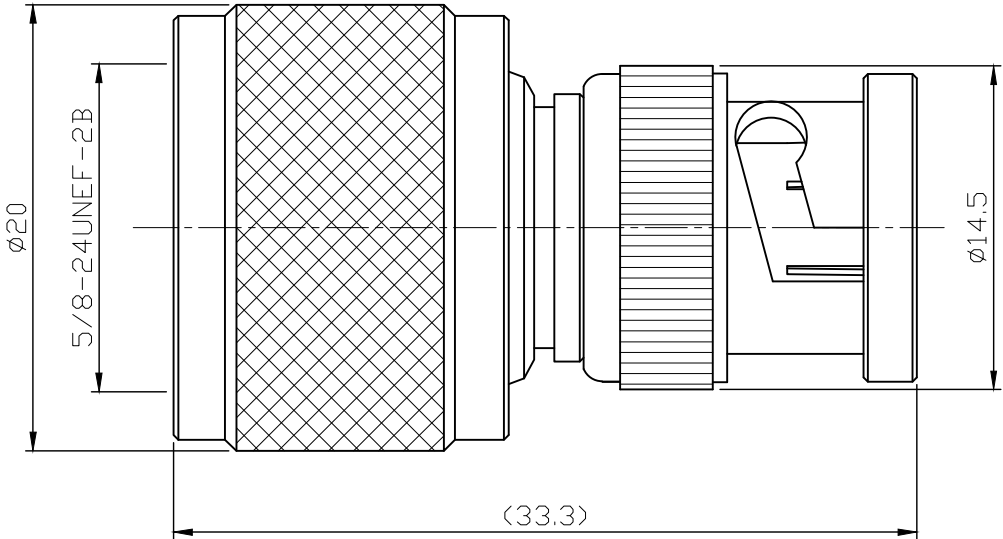


REVISION				
ASS. REV.	CON. REV.	DESCRIPTION	DATE	APPROVED
N/A	T	INITIAL RELEASE	2020/06/19	



NOTES: FINISH (PLATING THICKNESS IN MICRO-INCHES)

1. BRASS.
2. TIN-ZINC-COPPER-ALLOY PL. 100 MIN. OVER COPPER PL. 50 MIN.
3. GOLD PL. 4 MIN. OVER NICKEL-PHOSPHORUS ALLOY PL. 80 MIN. OVER COPPER PL. 20 MIN.

11	GASKET	SILICONE		1	BNC3100-7	A
10	WASHER	NOTE 1	NOTE 2	1	BNC3100-6/W	C
9	SPRING	SK5	NOTE 2	1	BNC3100-5/W	B
8	WASHER	NOTE 1	NOTE 2	1	BNC3100-4/W	B
7	GASKET	SILICONE		1	N3100-9058-6	B
6	CONTACT PIN	NOTE 1	NOTE 3	1	AD-N3B3-LC-6/NM	T
5	INSULATOR	TEFLON		1	TNC3300S-0141-4	A
4	INSULATOR	TEFLON		1	N3100A-9142-4	-
3	BODY	NOTE 1	NOTE 2	1	AD-N3B3-LC-3/W	T
2	SHELL	NOTE 1	NOTE 2	1	BNC3100-1/W	D
1	SHELL	NOTE 1	NOTE 2	1	N3100B-1/W	D
NO.	DESCRIPTION	MATERIAL	FINISH	QTY	PART NO.	REV

DIMENSION ARE MILLIMETERS UNLESS OTHERWISE SPECIFIED TOLERANCES (UNIT: MM) 0~0.5 = ±0.03 0.5~5 = ±0.05 5~10 = ±0.07 10~20 = ±0.10 20~30 = ±0.15 30~ = ±0.20	SCALE	ASSEMBLY REV.	CONNECTOR REV.	UNIT	JYE BAO CO., LTD. TAIPEI TAIWAN TITLE LOW COST N PLUG TO BNC PLUG DRAWING NO. AD-N3B3-LC
	3 / 1	N/A	T	MM	
	APPROVED	TESTER		DATE	
	CHECKED	DATE	DATE	DATE	
DRAWING			DATE		