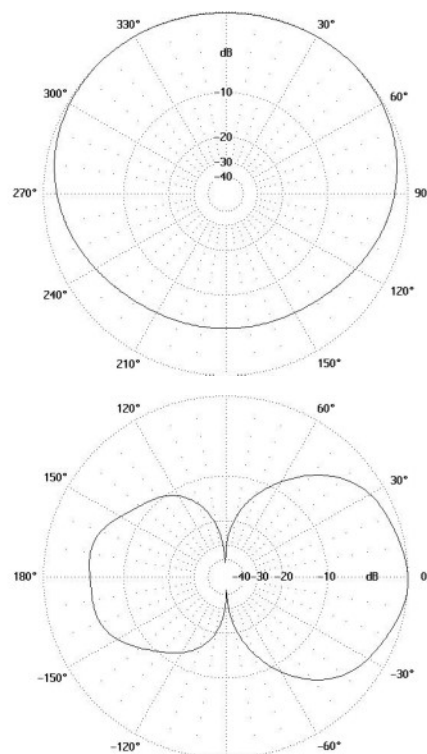


SIDE MOUNTED DIPOLE ANTENNA AV1314



Type	AV1314
Frequency	380...470 MHz (AV1314-H) 340...440 MHz (AV1314-L) 300...350 MHz (AV1314-A) 280...320 MHz (AV1314-300)
Bandwidth	90 MHz (AV1314-H) 100 MHz (AV1314-L) 50 MHz (AV1314-A) 40 MHz (AV1314-300)
Impedance	50 Ω DC grounded
VSWR	1,5 max
Polarisation	Vertical
Gain	4 dBi
E-plane 3 dB beamwidth	60°
H-plane 3 dB beamwidth	200°/depending on mounting
Electrical downtilt	None
Front to back ratio	6 dB/depending on mounting
Max. Continuous power	0,5 kW
RF-connector	N or 7/16 female
Operational windspeed	40 m/s (default)
Survival windspeed	55 m/s (default)
Wind area	0,04 m ²
Dimensions (H x W x D) (Ø x H)	300 x 160 x 300 mm
Weight	1,3 kg
Mounting diameter	Ø 30...115 mm pipe
Materials	Aluminium Glass reinforced polycarbonate/PE
Options	-