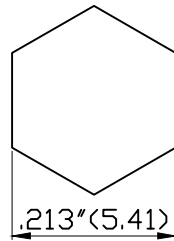
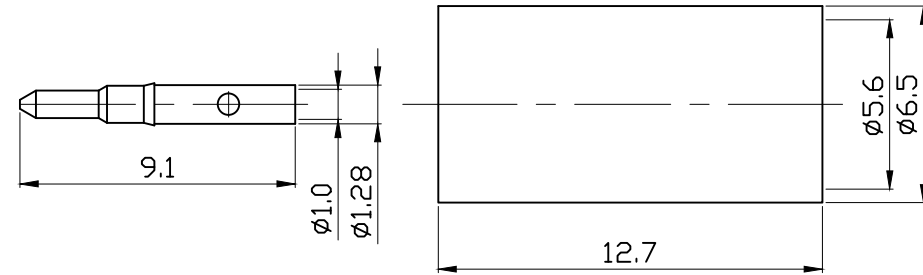
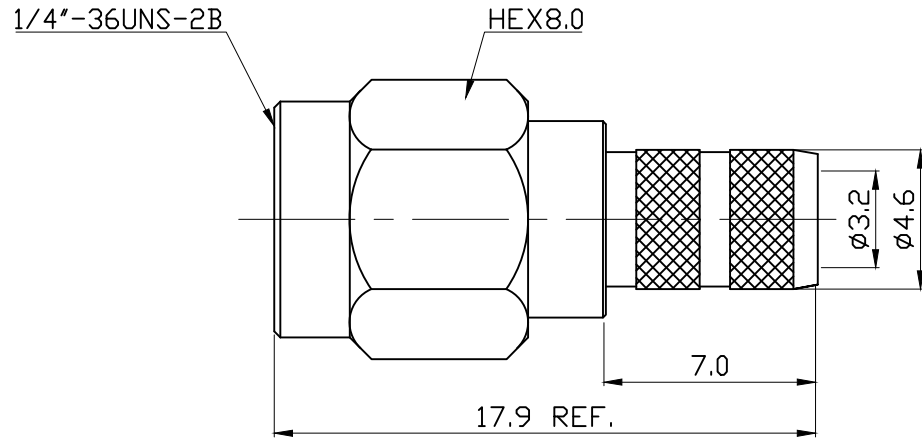
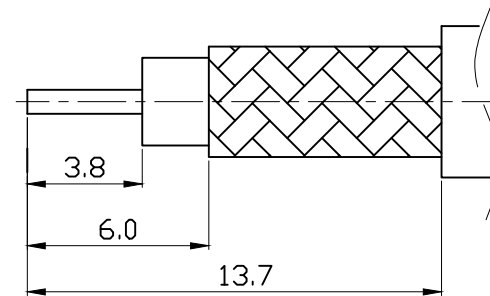


ROHS COMPLIANCE

DATE	DESCRIPTION	REV
16.11.22	NEW RELEASE	NA



Recommended Crimped Dimensions for Ferrule



Recommended Cable Stripping Dimensions

7	FERRULE	1	BRASS	NICKEL
6	GASKET	1	SILICONE	RED
5	RETAINING RING	1	SUS304	NONE
4	PIN	1	BRASS	GOLD
3	INSULATOR	1	PTFE	WHITE
2	SHELL	1	BRASS	NICKEL
1	BODY	1	BRASS	NICKEL
NO	Description	Q'ty	Material	Finish

MAJOR DIMENSIONS				APPROVED BY	OLD DRAWING NO	DRAWING NO
UNLESS OTHERWISE NOTED TOLERANCES 0.5-6 $\pm$ 0.2 6-30 $\pm$ 0.4 30-120 $\pm$ 0.6 ANGLES $\pm$ 5°				CHECKED BY <i>Jyun Siang</i>	 THIRD ANGLE PROJECTION	<b>417-000</b> TITLE SMA PLUG CRIMP FOR RG58/U
				DRAWING BY <i>Jyun Siang</i>		
				SCALE	4:1	UNIT
						REV. NA

DO NOT SCALE DRAWING