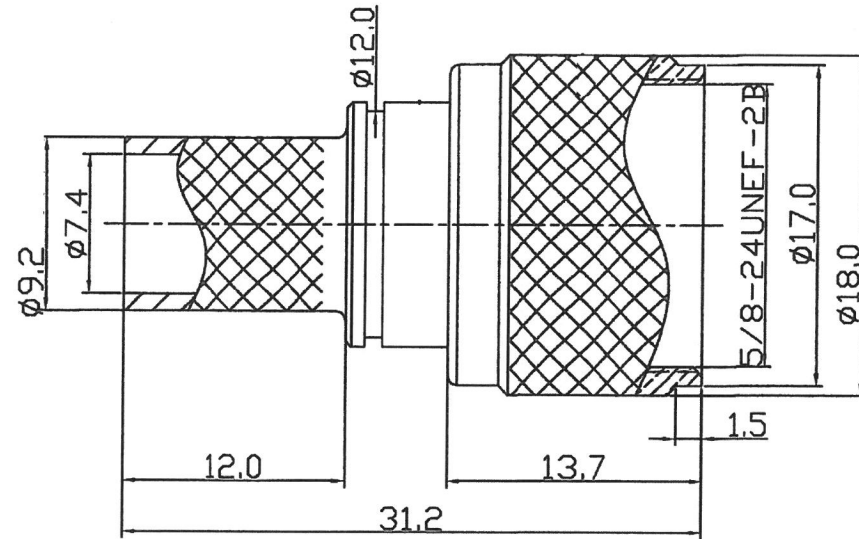
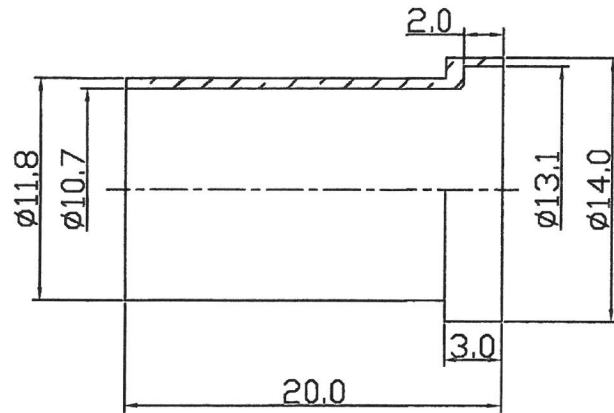
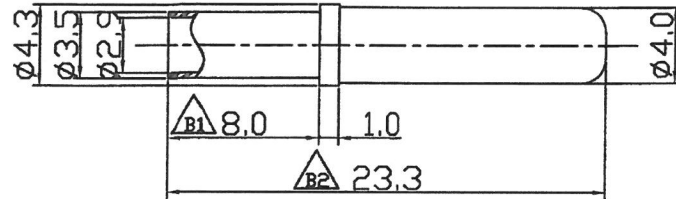


**ROHS**

ISO 9001  
ISO 14001



Material:		Treatment:					
Drawer	Design	Approv	Tolerance	Unit: mm		TITLE	UHF M LMR-400
			X=±0.5	Ver: B	Scale 3:1	Model NO	
Part NO CR-UHFMLMR400-1091A/B/D				File NO: QR0402	Drawing NO	605-007-005-102	
			X=±0.2				
			XX=±0.1				
			XXX=±0.05				