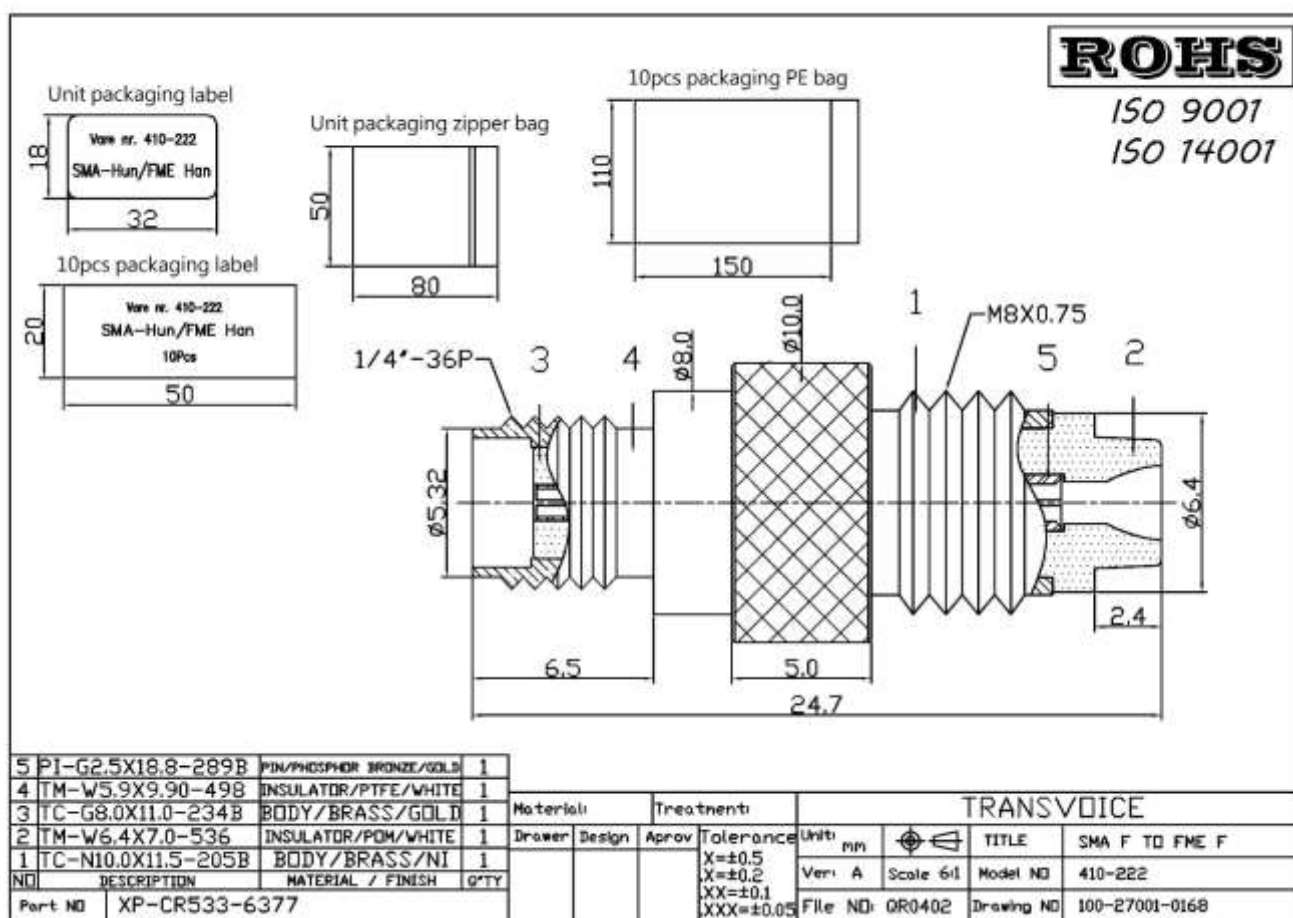


Specification

1.Product: SMA F TO FME F Adapter

2.Part No: 410-222

✳️RoHS Compliant



Specifications

Frequency Range	DC-3GHz
Impedance	50 ohm
Temperature Range	-55~+155°C
Centre Conductor retention Range	≥0.28N
Coupling nut Retention Force	≥180Nq
Durability	>500 Cycle
Insulation Resistance	≥5000MΩ
Working Voltage	355 Vrms
Max Voltage(can withstand)	1000Vrms

Test Report

Frequency (MHz)	Return Loss (dB)	VSWR	Insertion Loss (dB)
600	-28.96	1.09	-0.53
900	-37.91	1.05	-0.66
1575	-28.42	1.08	-0.89
1800	-23.74	1.14	-0.96
2000	-22.84	1.24	-0.99
2100	-21.04	1.24	-1.04
2400	-19.35	1.40	-1.15
2700	-19.89	1.55	-1.11
3000	-22.81	1.51	-1.18