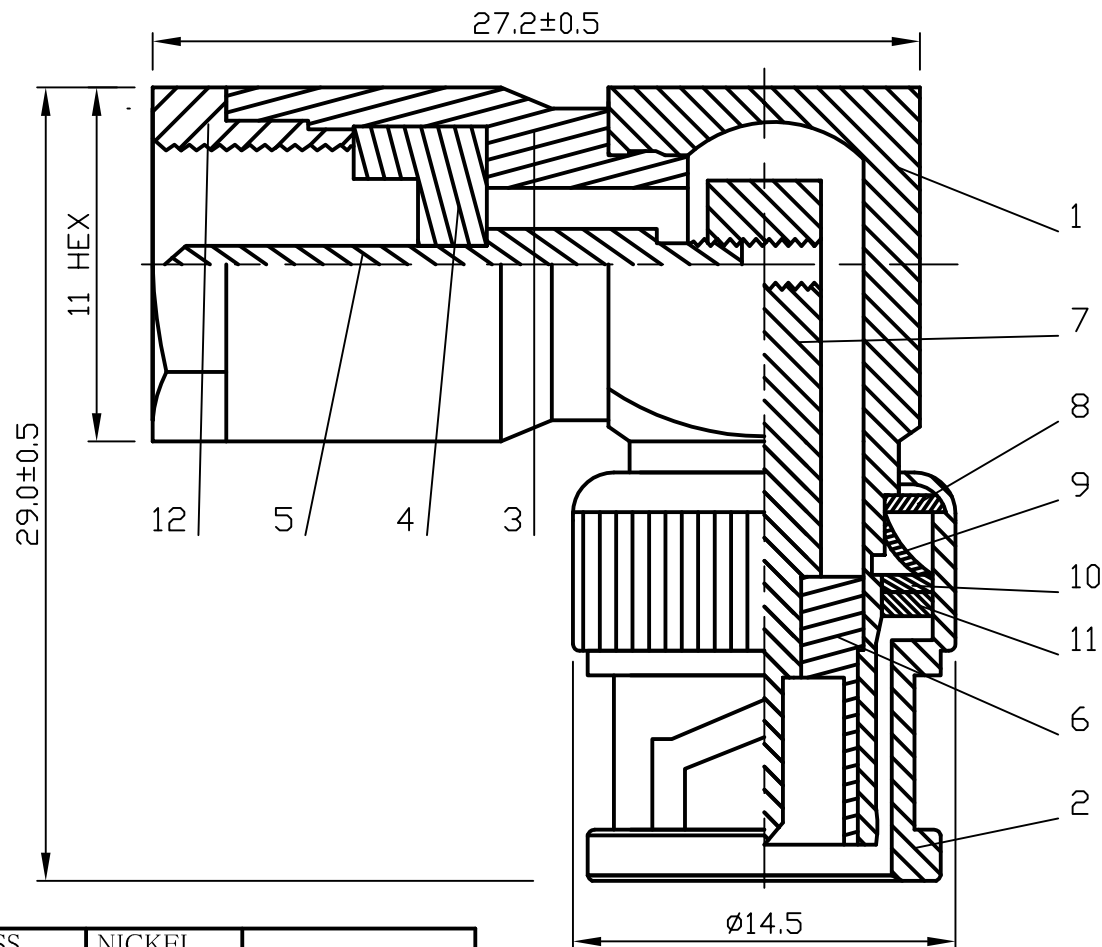


ROHS COMPLIANCE

DATE	DESCRIPTION	REV
09.07.21	NEW RELEASE	A



12	NUT	1	BRASS	NICKEL	
11	GASKET	1	PVC	RED	
10	WASHER	1	STEEL	NICKEL	
9	SPRING	1	SK-5	NICKEL	
8	WASHER	1	STEEL	NICKEL	
7	PIN II	1	BRASS	GOLD	
6	INSULATOR II	1	DELTRIN	WHITE	
5	PIN I	1	BRASS	GOLD	
4	INSULATOR I	1	DELTRIN	WHITE	
3	BODY II	1	BRASS	NICKEL	
2	SHELL	1	BRASS	NICKEL	
1	BODY I	1	BRASS	NICKEL	
NO	Description	Q'ty	Material	Finish	Part Number

UNLESS OTHERWISE SPECIFIED 1. REMOVE ALL BURRS. 2. BREAK ALL CONNERS & EDGES CO. 15 MAX. 3. CHAMFER 1ST & LAST THREADS 45°. 4. DIAMETERS ON COMMON CENTERS. TO BE CONCENTRIC WITHIN 0.01 T.I.R. 5. ALL DIMENSIONS ARE AFTER PLATING.	MAJOR DIMENSIONS	APPROVED BY	DRAWING NO
	UNLESS OTHERWISE NOTED TOLERANCES	CHECKED BY	410-215
	0.5-6=±0.2	DRAWING BY	TITLE
	6-30=±0.4	ARJEMPY	R/A FME MALE TO BNC MALE ADAPTER
30-120=±0.6	DATE	REV.	
ANGLES=±5°	2009/07/21	A	
SCALE 4/1	UNIT MM		



DO NOT SCALE DRAWING