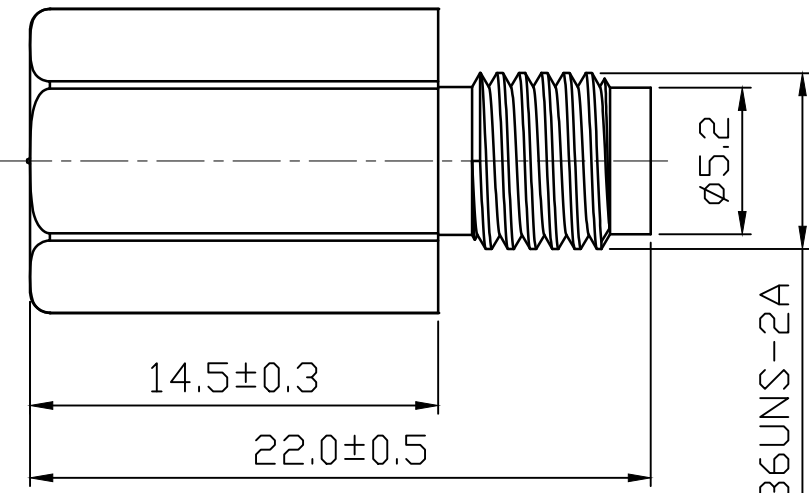
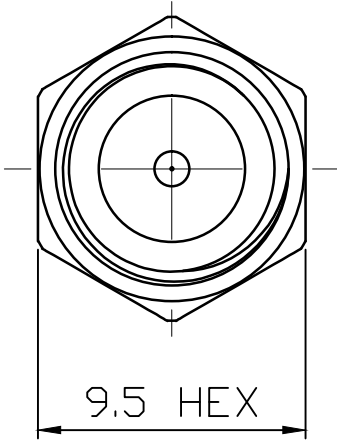
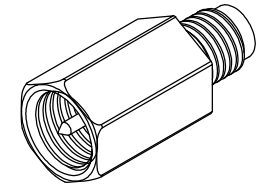


ROHS COMPLIANCE

DATE	DESCRIPTION	REV
13.10.04	NEW RELEASE	NA



1/4"-36UNS-2A



DO NOT SCALE DRAWING

NO	Description	Q'ty	Material	Finish	Part Number
4	PIN	1	BRASS	GOLD	
3	INSULATOR	1	PTFE	WHITE	
2	INSULATOR	1	POM	WHITE	
1	BODY	1	BRASS	NICKEL	

UNLESS OTHERWISE SPECIFIED
 1. REMOVE ALL BURRS.
 2. BREAK ALL CONNERS & EDGES CO. 15 MAX.
 3. CHAMFER 1ST & LAST THREADS 45°.
 4. DIAMETERS ON COMMON CENTERS.
 TO BE CONCENTRIC WITHIN 0.01 T. I. R.
 5. ALL DIMENSIONS ARE AFTER PLATING.

MAJOR DIMENSIONS
 UNLESS OTHERWISE NOTED TOLERANCES
 0.5-6=±0.2
 6-30=±0.4
 30-120=±0.6
 ANGLES=±5°

APPROVED BY
 CHECKED BY
Jyun Liang
 DRAWING BY
Sheng
 DATE 2017/11/09

DRAWING NO
 410-212

TITLE
 FME PLUG TO SMA JACK
 REV. NA



8 7 6 5 4 3 2 1

E

E

D

D

C

C

B

B

A

8 7 6 5 4 3 2 1