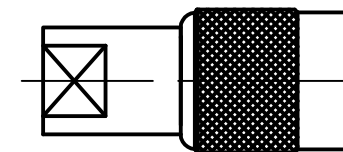
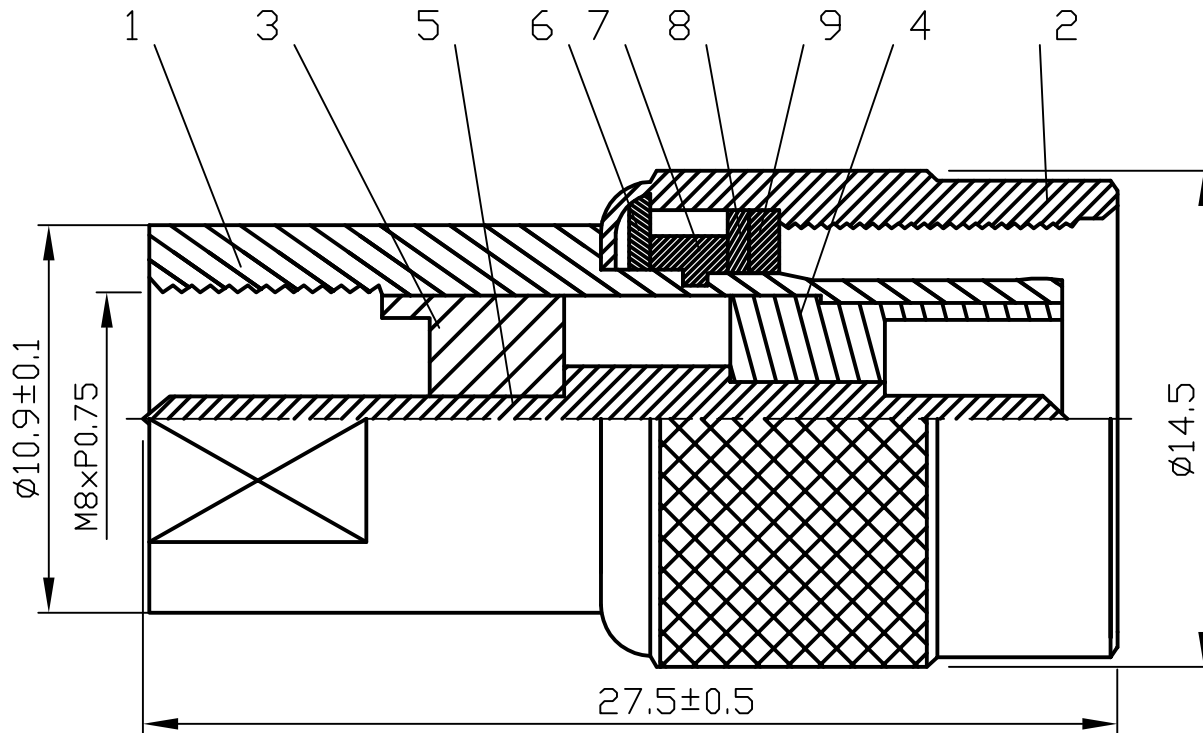
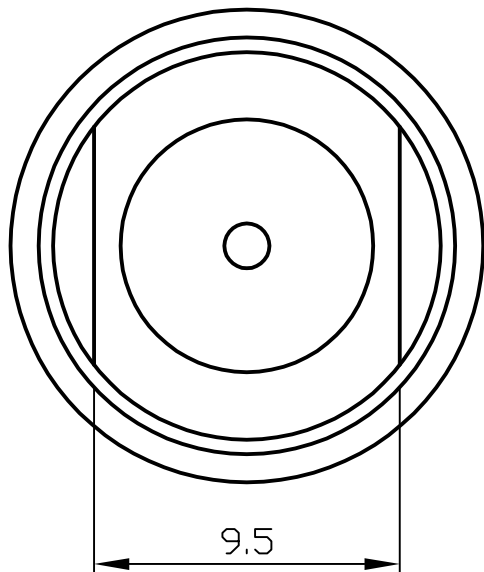


ROHS COMPLIANCE

DATE	DESCRIPTION	REV
12. 07. 04	NEW RELEASE	A



9	GASKET	1	PVC	RED	
8	WASHER	1	STEEL	NICKEL	
7	WASHER	1	SK-5	NICKEL	
6	WASHER	1	STEEL	NICKEL	
5	PIN	1	BRASS	GOLD	
4	INSULATOR II	1	POM	WHITE	
3	INSULATOR I	1	POM	WHITE	
2	SHELL	1	BRASS	NICKEL	
1	BODY	1	BRASS	NICKEL	
NO	Description	Q'ty	Material	Finish	Part Number

UNLESS OTHERWISE SPECIFIED
 1. REMOVE ALL BURRS.
 2. BREAK ALL CONNERS & EDGES CO. 15 MAX.
 3. CHAMFER 1ST & LAST THREADS 45°.
 4. DIAMETERS ON COMMON CENTERS.
 TO BE CONCENTRIC WITHIN 0.01 T. I. R.
 5. ALL DIMENSIONS ARE AFTER PLATING.

MAJOR DIMENSIONS
 UNLESS OTHERWISE NOTED TOLERANCES
 0.5-6=±0.2
 6-30=±0.4
 30-120=±0.6
 ANGLES=±5°

APPROVED BY
 CHECKED BY
 DRAWING BY
Sheng
 DATE 2012/07/04

DRAWING NO
 410-207
 TITLE
 FME MALE TO TNC MALE ADAPTER
 REV.
 A

DO NOT SCALE DRAWING