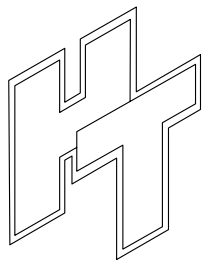
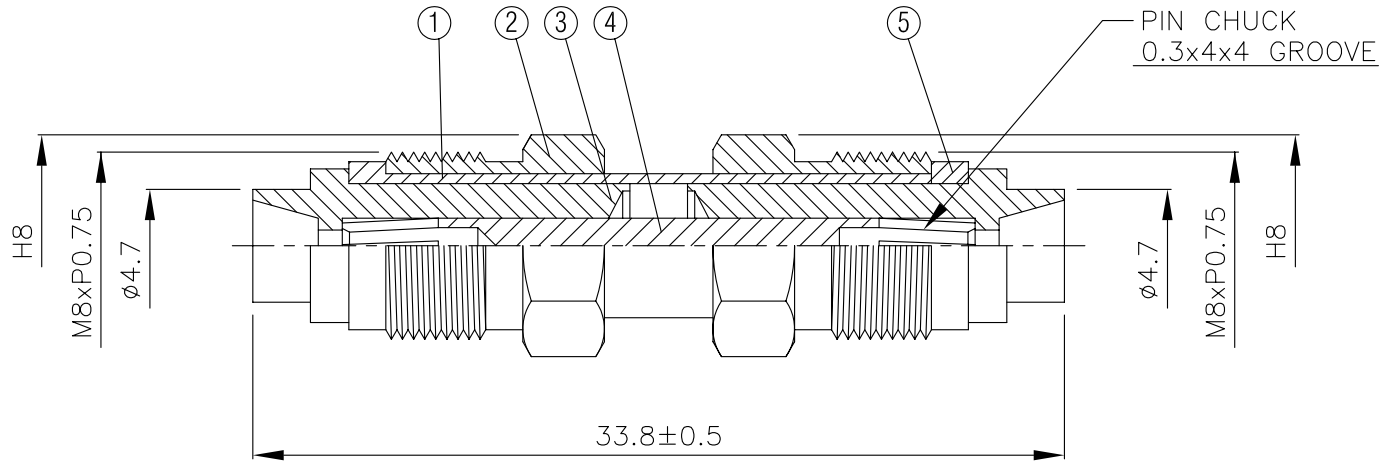
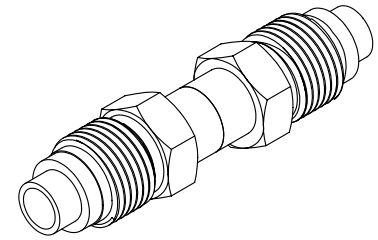


NO	DESCRIPTION	MATERIAL	Q'TY	FINISH	REMARK
1	BODY	BRASS	1	NICKEL	B-FME0318-N
2	NUT	BRASS	2	NICKEL	N-0008-N
3	INSULATION	DELRIN	2	DELRIN	I-0087D
4	PIN	BRASS	1	GOLD	P-FME0196-G
5	WASHER	BRASS	1	NICKEL	W-0041-N



HUS-TSAN GROUP CO., LTD.

P.O.BOX 40-76.TAINAN.TAIWAN,R.O.C.

TITLE
FME FEMALE - FEMALE ADAPTOR

PART NO.
FME-30-DGN

DRAWING NO. FME 30 DGN

DRAWN MARY DATE 96.07.07

CHECKED 蘇志欣 DATE

Q.A. 蘇姿潔 DATE

APPROVAL 徐燦霖 DATE

REVISION DATE

DIMENSIONS ARE IN MILLIMETERS

UNLESS OTHERWISE SPECIFIED TOLERANCE

0.5-5=±0.2 120-315=±1

5-30= ±0.4 315-1000=±1.6

30-120±0.6 1000-2000=±2.4

SCALE 4:1 SIZE A

REVISION

DESCRIPTION	ENGINEER

D

D

C

C

B

B

A

A

4

3

2

1