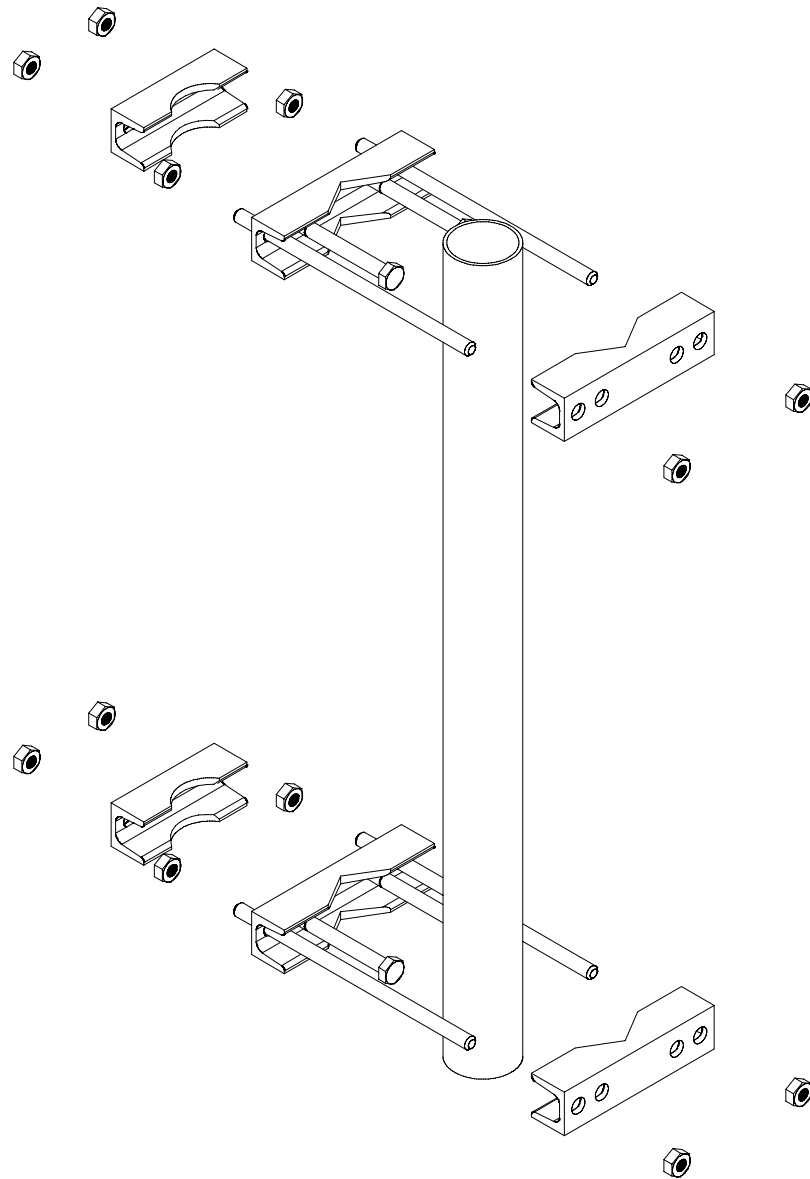


ANTENNA MOUNTING SET AETM160-4



Parts list	pcs
U40-160 clamp	4
U40-110 clamp	2
M12x250 headless screw	4
M12x100 screw	4
M12 nut	12

Type	AETM160-4
Dimensions (H x W x D) (Ø x H)	See above drawing (pipe not included)
Weight	2,6 kg per point
Mounting diameter	50...115 mm pipe 60mm mounting pipe
Materials	Hot dip galvanized steel
Versions	-
Options	-