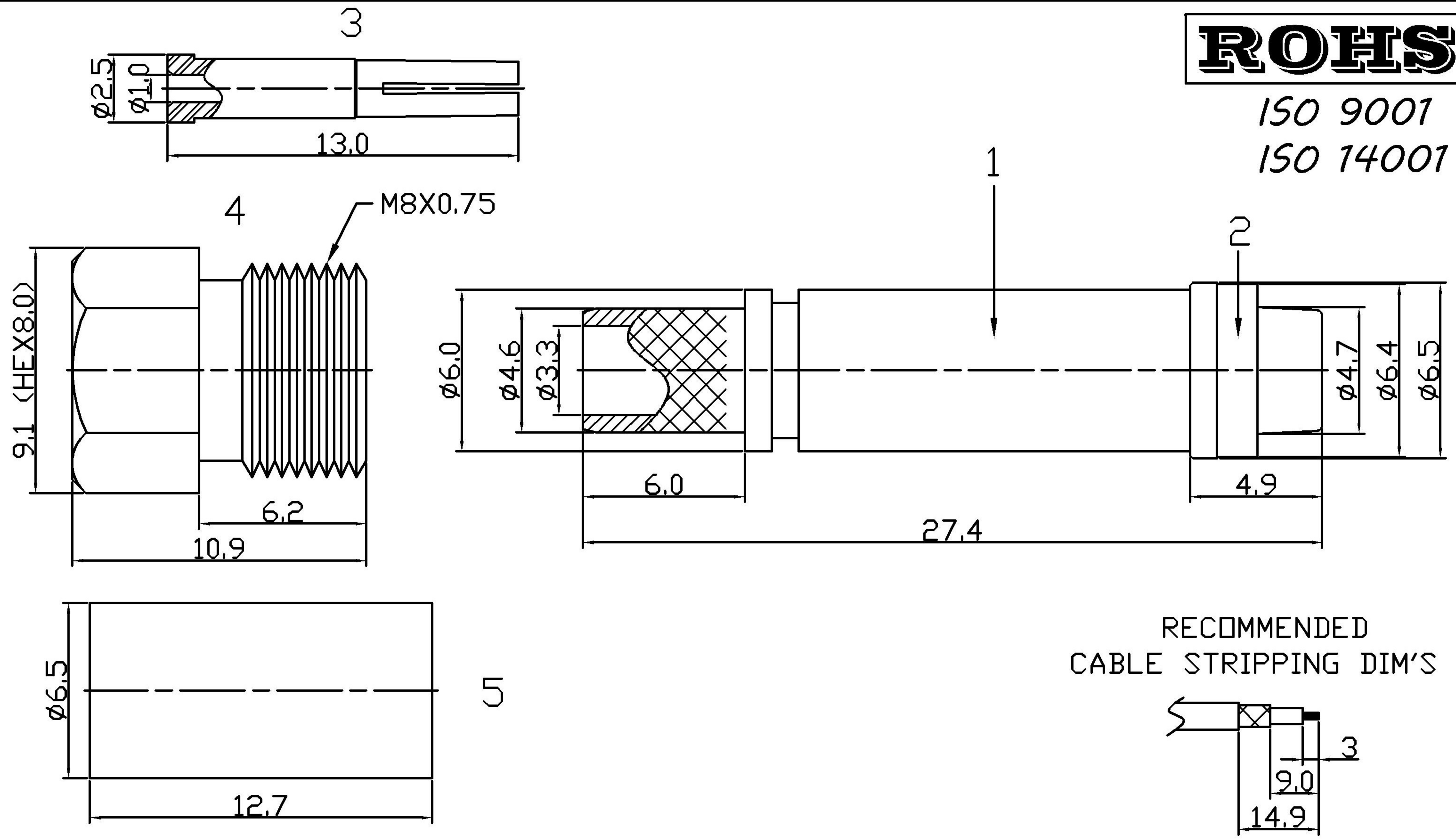
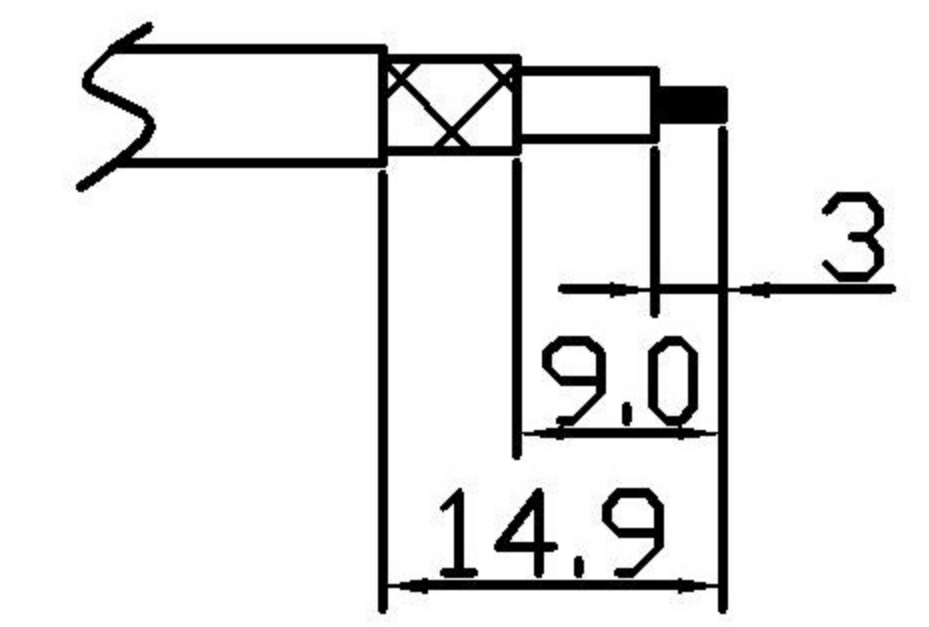


ROHS

ISO 9001
ISO 14001



RECOMMENDED
CABLE STRIPPING DIM'S



5	FE-N6.5X12.7-017I	FERRULE/BRASS/NI	1
4	SN-N9.0X10.9-252B	NUT/BRASS/NI	1
3	PI-G2.5X13.0-372B	PIN/BRASS/GOLD	1
2	TM-6.4X16.8-076	INSULATOR/PDM/WHITE	1
1	SH-N6.5X23.5-039B	BODY/BRASS/NI	1
NO	DESCRIPTION	MATERIAL / FINISH	Q'TY
Part NO			

Material:		Treatment:		TRANSVOICE			
Drawer	Design	Aprov	Tolerance				
			X=±0.5 X=±0.2 XX=±0.1 XXX=±0.05	Ver: A	Scale 5:1	Model NO	
				File NO: QR0402		Drawing NO	601-1-002-010-102